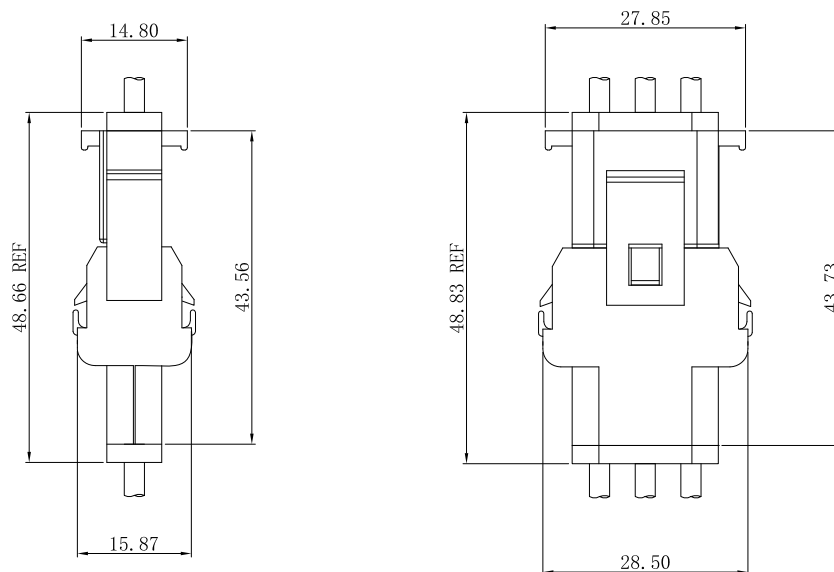


## Specifications

- Voltage rating: 300V AC, DC
- Current Rating: 10A, AC, DC
- Withstand voltage: 1500V AC/minute
- Contact resistance: 20mΩ max
- Insulation resistance: 1000mΩ min
- Temperature range: -40°C ~ +105°C
- Compliant with RoHS and REACH
- Contact JVT for details

## Assembly layout



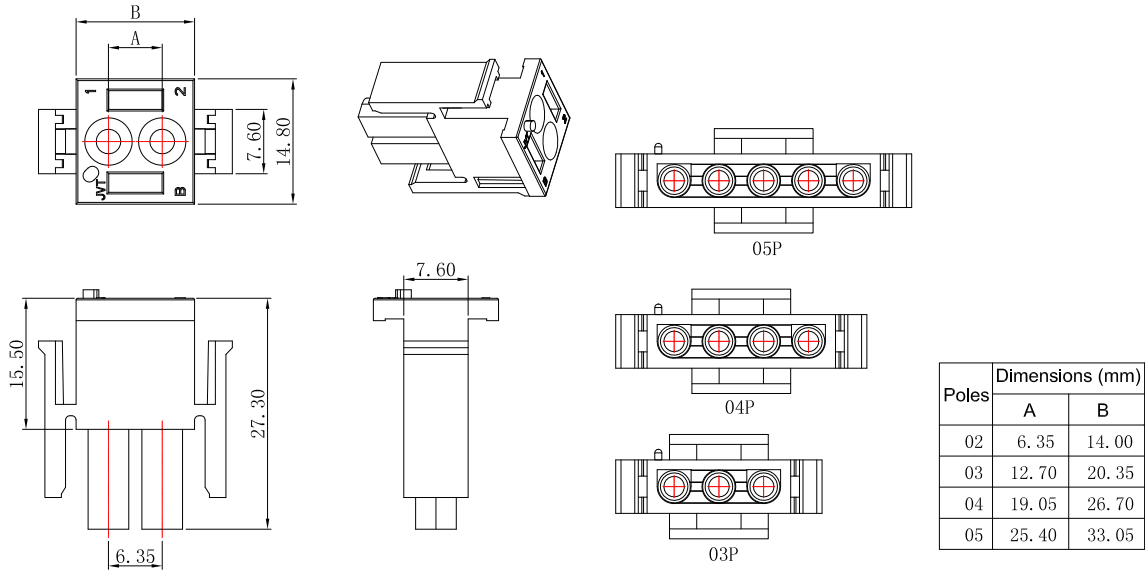
**JVT6350H**

6.35mm Pitch housing

HOUSING

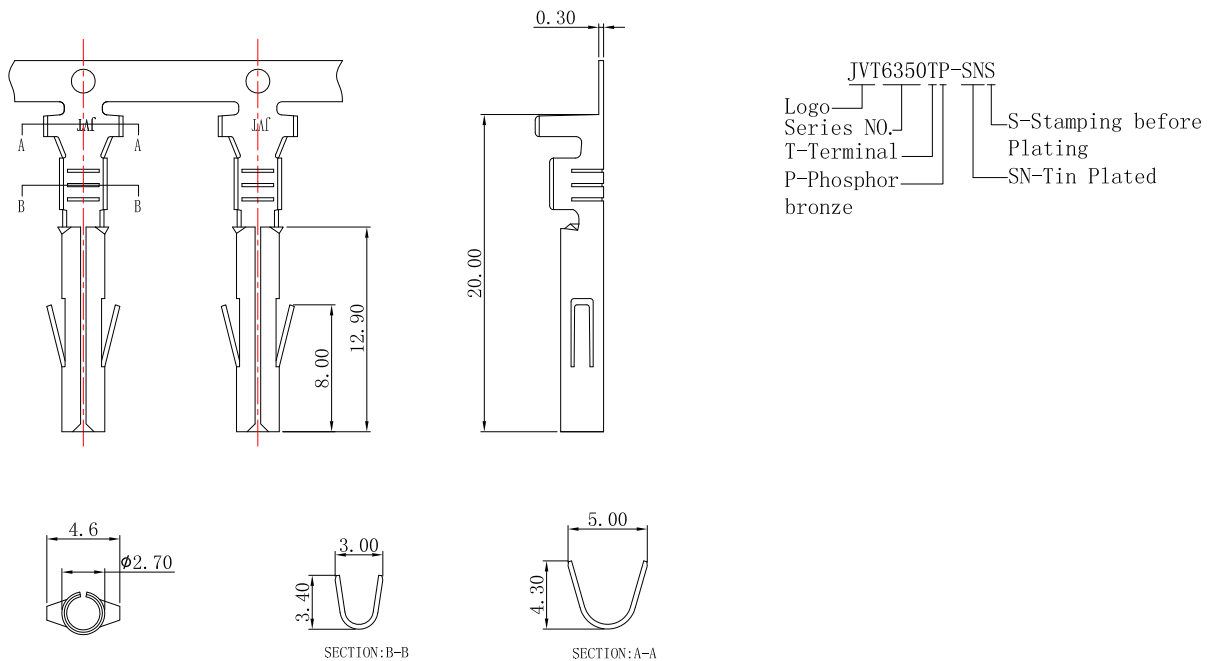
Part No.: JVT6350HN2-XX  
Material: Nylon 66 UL94V-2  
Mates With Part(s): JVT6350 Terminal

JVT6350HN2-XX  
Logo  
Series NO.  
Housing  
N2-PA66 UL94V-2  
Pin NO.



**JVT6350T**

6.35mm Pitch Crimp Terminal



JVT6350TP-SNS	Phosphor Bronze	Tin-plated	16-24awg	3.5mmMax	JVT6350H
PART NO	Material	Finish(Pin)	Wire Range	Insulation O.D.	Mates With Part(s)

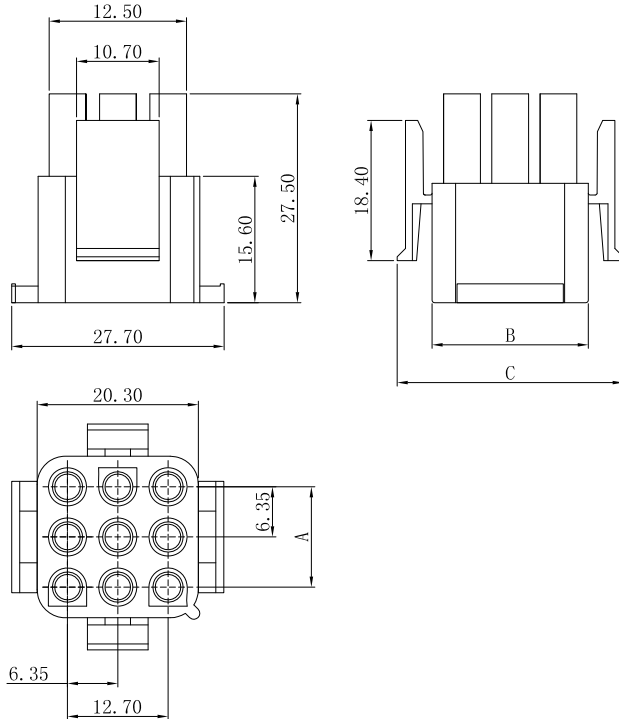
**JVT6350H**

6.35mm Pitch housing

HOUSING

Part No.: JVT6350HN2-XX  
Material: Nylon 66 UL94V-2  
Mates With Part(s): JVT6350 Terminal

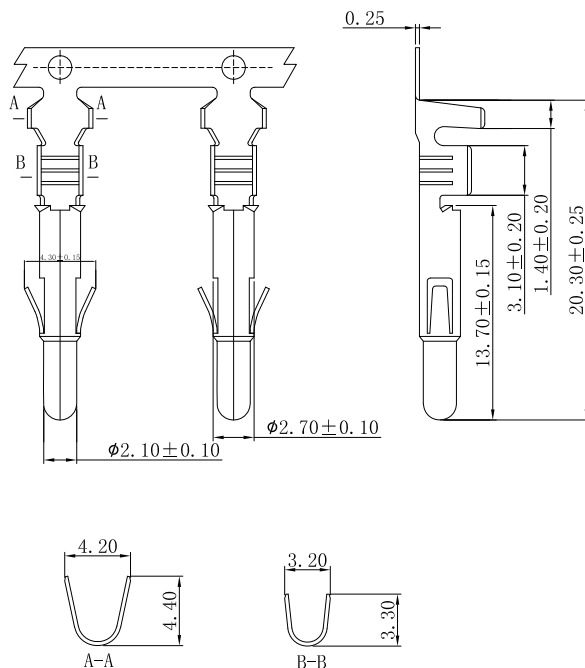
JVT6350HN2-XX  
Logo  
Series NO.  
Housing  
N2-PA66 UL94V-2  
Pin NO.



Poles	Dimensions (mm)		
	A	B	C
3*02	6.35	14.20	23.10
3*03	12.70	20.55	29.50
3*04	19.05	26.90	35.80
3*05	25.40	33.25	42.15

**JVT6351T**

6.35mm Pitch Crimp Terminal



JVT6351TP-SNS  
Logo  
Series NO.  
T-Terminal  
P-Phosphor bronze  
S-Stamping before Plating  
SN-Tin Plated

JVT6351TP-SNS	Phosphor Bronze	Tin-plated	14-24awg	3.0mm	JVT6351H
PART NO	Material	Finish(Pin)	Wire Range	Insulation O.D.	Mates With Part(s)

**JVT6351H**

6.35mm Pitch housing

HOUSING

Part No. : JVT6351HN2-3\*XX

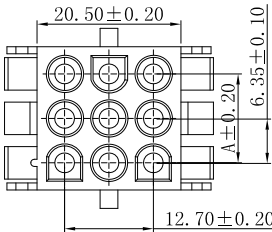
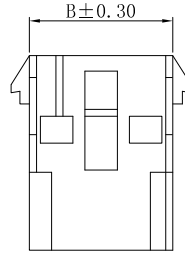
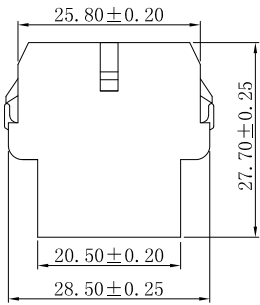
Material: Nylon 66 UL94V-2

Mates With Part(s): JVT6351 Terminal

JVT6351HN2-3\*XX

Logo  
Series NO.  
HSG

PIN NO  
PA66 UL94V-2



Poles	尺寸 (mm)	
	A	B
3X02	6.35	14.20
3X03	12.70	20.55
3X04	19.05	26.90
3X05	25.40	33.25

**JVT6351H**

6.35mm Pitch housing

HOUSING

Part No. : JVT6351HN2-XX

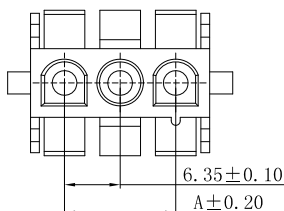
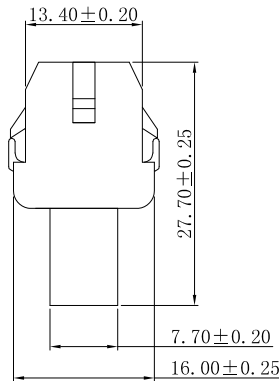
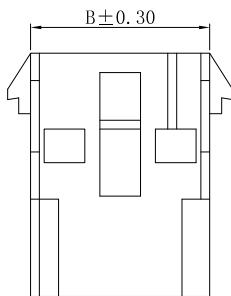
Material: Nylon 66 UL94V-2

Mates With Part(s): JVT6351 Terminal

JVT6351HN2-XX

Logo  
Series NO.  
HSG

PIN NO  
PA66 UL94V-2



Poles	尺寸 (mm)	
	A	B
02	6.35	14.20
03	12.70	20.55
04	19.05	26.90
05	25.40	33.25
06	31.75	39.60
08	44.45	52.30